

The BusLift transmission jack is specially designed to be use with mobile columns.

Thanks to its multi position swivel head, you can accurately adjust it to the assembly you want to remove.

Delivered with a set of chains, adjusters and shackles, this essential tool is ready to use.



Specification

JACK

Capacity	1500 kg
Minimum height	1000 mm
Maximum height	2020 mm
Stroke	1220 mm
Safety valve	•
2-speed pump	•
Overload limit	•

Piston diameter	
1st	50 mm
2nd	80 mm

Down :	
"Deadman position"	•

Wheel diameter	200 mm
2 swivel wheels with latches	
2 fixed wheels	

SWIVEL HEAD

Lateral and longitudinal inclination	±10°
Longitudinal stroke	200 mm
Lateral stroke	110 mm
Overall length	850 mm
Overall width	480 mm
Delivered with 2 chains (adjusters & shackles included)	

Dimension

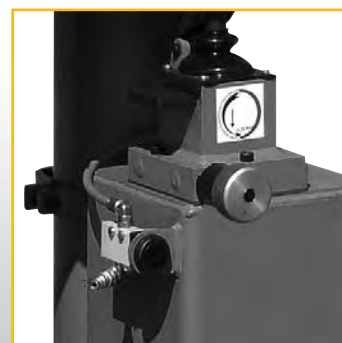
Length	1250 mm
Width	850 mm
Weight	175 kg



Speed manual pump



Multi position swivel head included



Option : quick pneumatic approach